

# DYNABREEZE

TRADE QUALITY SINCE 1995

## INDUSTRIAL 750MM PEDESTAL FAN

FACTORY  
3 YEAR  
WARRANTY



MODEL FA-23105

## Instruction User Manual & Warranty



**CAUTION:** Read the Assembly & Safety Instructions before operating and retain for future reference

# Thank you & Congratulations on the purchase of your Dynabreeze Industrial 750mm Pedestal Fan

---

To find out more information on this product,  
please visit [www.dynabreeze.com.au](http://www.dynabreeze.com.au) or contact:

**Tradeware**

Address 45 Birralelee Rd, Regency Park SA 5010  
Phone AU 1300 658 494 NZ 0800 689 960  
Email [info@tradeware.com.au](mailto:info@tradeware.com.au)  
Website [www.tradeware.com.au](http://www.tradeware.com.au)

**SPECIFICATIONS**

Model	FA-23105
Voltage	220-240V
Frequency	50Hz
Motor Power	280W
Air Volume	290m <sup>3</sup> /min
Max Speed	1400 RPM
Fan Speed	3
Diameter	750mm
Product Weight	25KG



## OPERATION CONDITIONS & SAFETY PRECAUTIONS

**WARNING:** When using electrical appliances, basic safety precautions should be followed to reduce the risk of fire, electric shock and injury to persons or property.

---

- To avoid a hazard due to instability of the appliance, it must be placed on an even, flat surface.
- Do not operate this appliance with a damaged cord or plug after the appliance has been damaged in any manner.
- Before each use, check for any damaged parts, and have it replaced or repaired by the manufacturer or a qualified electrician.
- Connect to properly grounded power outlet only. No other appliance should be plugged into the same outlet.
- Do not run the power cord over carpeting or other heat insulators. Do not cover the cord. Keep cord away from traffic areas.
- Switch off and unplug the appliance before moving, cleaning or making any repairs or servicing.
- Keep safety guards/grilles in place and do not operate the machine with them removed.

**WARNING:** Touching of moving blades can cause serious injury.

- Do not insert fingers or anything through the grille.
- Do not wear jewellery or loose clothing that could be caught by the rotating blades.

- Never leave the appliance running unattended, turn the power off.

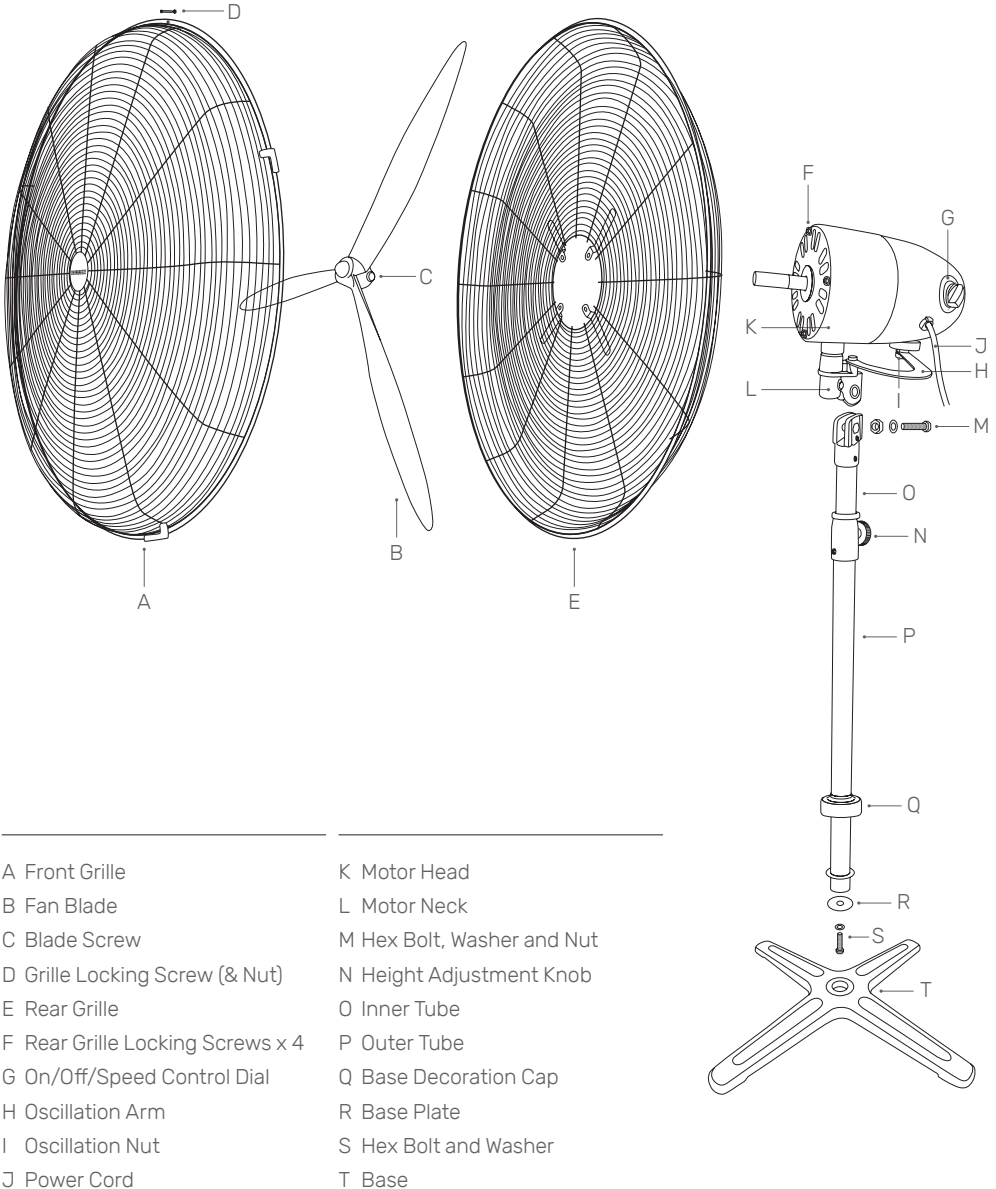
**WARNING:** Exercise caution and use reasonable supervision when appliance is used near children to ensure that they do not play with the appliance.

- This appliance is not intended for use by persons (including children) with reduced physical, sensory or mental capabilities, or lack of experience and knowledge.
- Keep the area around the fan clear and suitable distance from objects that may be suctioned into the fan.
- Pack away in a dry place in the original carton when not in use.

**WARNING:** Do not use the appliance in a bathroom or in the immediate surroundings of a bath, a shower or a swimming pool. Keep all parts away from water or any other liquids.

**CLEANING:** Turn off, remove any dust build up with a soft brush, wipe the surface of the unit with a damp soft cloth using a mild detergent (no harsh chemicals).

## PARTS IDENTIFICATION



# ASSEMBLY & OPERATION

SCAN QR CODE  
TO REFER TO THE  
ASSEMBLY &  
OPERATION VIDEO

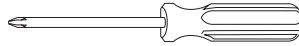


## Tools Required

### Adjustable Shifter



### Phillips Screwdriver



### Multigrips



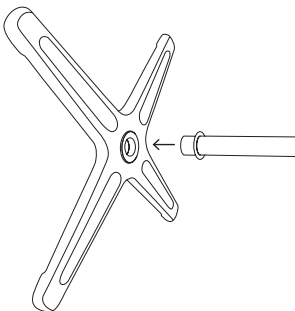
## Assembling the fan

### Fan Body & Motor

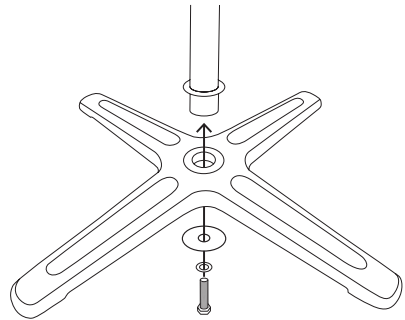
1. Unpack the contents from the box and check all parts are included.
2. Using an adjustable shifter, remove the hex bolt, washer and plate from the bottom of the outer tube.



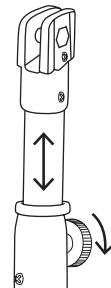
3. Hold the base on its side to insert the bottom of the outer tube into the centre of the base.



4. From underneath the base, place back the plate and re-insert the washer and hex bolt, using the shifter to tighten.

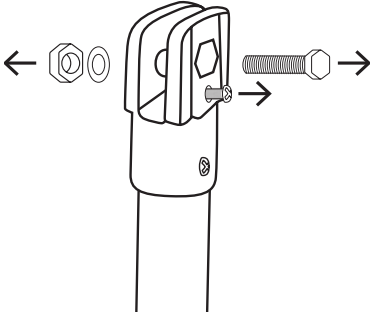


5. Loosen the height adjustment knob and pull the inner tube out to the desired height and re-tighten.

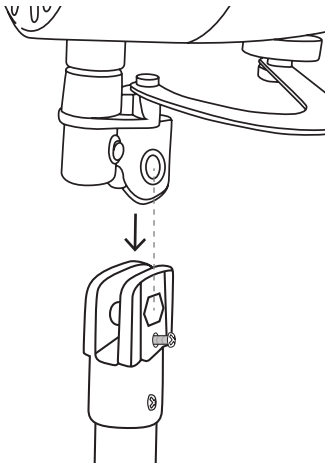


## Assembling the fan cont.

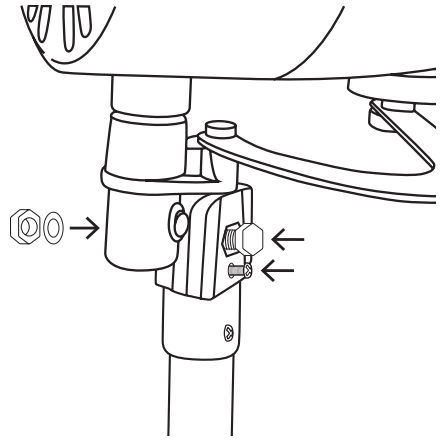
6. Remove the centre hex bolt, washer and nut from the top of the inner tube and loosen the smaller screw underneath the hex bolt.



7. Situate the motor head on top of the inner tube, with the holes aligned.



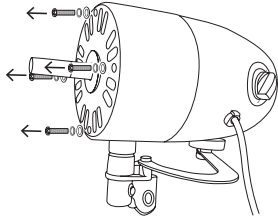
8. Insert the hex bolt back in, ensuring the head is inserted on the side of the hex bolt cut out hole.
9. Place the washer and nut back on the other side of the hex bolt and tighten with a shifter.
10. Tighten the smaller screw underneath the hex bolt.



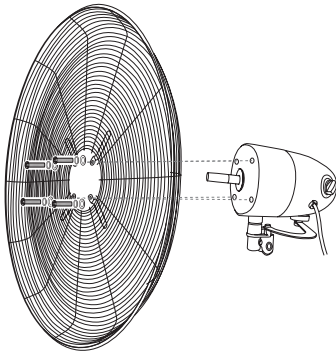
## Assembling the fan cont.

### Blade & Grilles

1. Use the shifter to unscrew the 4 rear grille locking screws, spring washers and washers from the motor head.

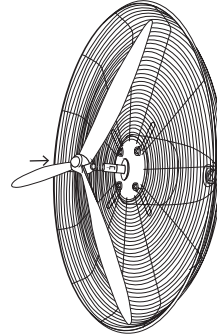


2. Assemble the rear grille onto the motor head, aligning the holes and re-insert the rear grille screws, washers and spring washers.

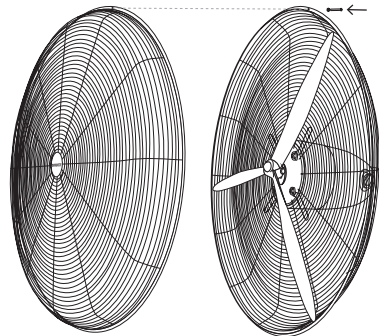


**NOTE:** Tighten the screws to avoid vibration noise and ensure the grille locking screw and nut are situated at the top of the rear grille.

3. Remove the plastic cover from the motor shaft to insert the fan blade. Align the blade screw on the fan blade, to the flat area on the motor shaft. Tighten the blade screw.



4. Remove the grille locking screw and nut - put aside safely as these are small.
5. Place the front grille over the rear grille, aligning the two small holes and secure the position by clipping the hook over the rear grill. Re-insert the grille locking screw into the holes and tighten with the nut.



6. Close the side hook fastenings around the grilles.

The fan assembly is now complete.

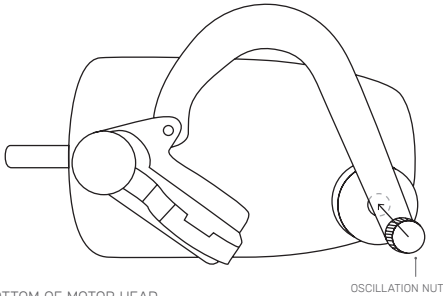
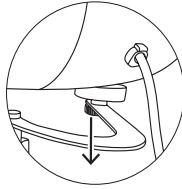
## Operating the Fan

Turn on the fan by turning the speed control dial from 0 to 1, 2 or 3.

### Oscillate

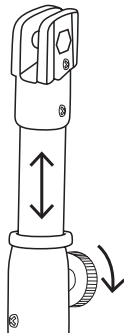
The fan is set to oscillate by default. The oscillation range is 85°.

To stop oscillation, loosen the oscillation nut with multigrips and move the oscillation arm so the nut can be re-inserted in the centre hole.



### Adjustments: Height Adjustment

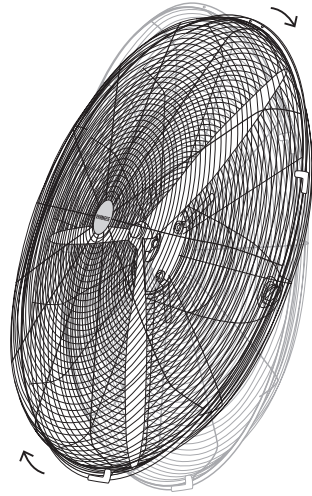
The height can be adjusted by loosening or tightening the height adjustment knob and moving the motor head to the desired height.



### Adjustments: Vertical Tilt Adjustment

Grip the top and bottom of the grille firmly and tilt to the desired position.

If you have difficulty adjusting the vertical tilt, loosen the centre bolt slightly to give you more flexibility and then re-tighten.







## WARRANTY

Under the Australian Consumer Law (ACL) or NZ Consumer Guarantees Act (CGA), you are entitled to a 12 month replacement or refund for product failure and compensation for any other reasonably foreseeable loss or damage.

Tradeware offers a **3 Year Warranty**. The additional warranties, terms and conditions are outlined on the website [www.dynabreeze.com.au](http://www.dynabreeze.com.au) under the Support tab.

Under Support you can also **Register your product** upon purchase and enjoy the peace of mind of knowing your product is registered should anything happen.

If the unit fails to operate efficiently, is broken or other problems arise, unplug and do not operate. Ask for advice by calling Tradeware.

To Claim, the fan should be returned to the place of purchase or via the website within the warranty period.

Such claims must include:

- Details of the alleged defect or fault;
- Evidence of the claim; and
- Proof of purchase documentation which clearly shows the date and place of purchase.

Please visit [www.dynabreeze.com.au](http://www.dynabreeze.com.au) for more details





**Tradeware**

**Tradeware**

45 Birralee Road, Regency Park

South Australia 5010

[info@tradeware.com.au](mailto:info@tradeware.com.au)

1300 658 494

[www.tradeware.com.au](http://www.tradeware.com.au)

---

Due to continual product development, please note the information and content provided may not be final and may be subject to changes.

